

Spring Hinge BIMP Functional Data

Aluminium

The Justor Spring hinge MP is ideal for all light weight doors that need to be returned to a closed position without assistance. The spring hinge MP is ideal for light weight doors and existing non sprung doors where hinges currently exist .

Ideal for fly wire doors and all other light weight doors. Designed with retrofitting in mind, installation of the spring hinge MP is quick neat and simple. It conveniently can be installed without having to dismantle the door.

Made by Justor of Spain, its unique design means no maintenance is required or any adjustments over time. Guaranteed for 2 years, the spring hinge MP is a smart choice.

The spring hinge MP provides the flexibility to change an existing non-sprung door into a full time automatic closing door. The BIMP can be applied to most light doors in any location imagined.

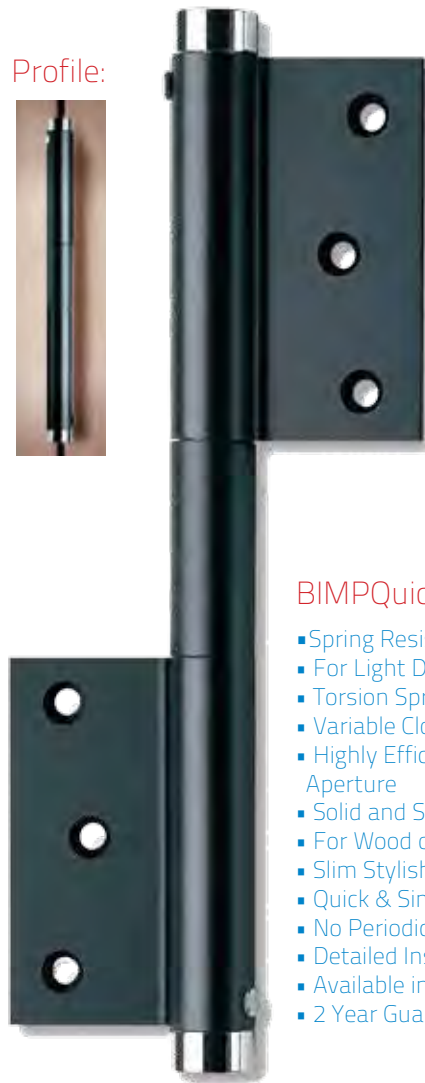
Stocked in Bellevue Imports warehouse in large quantities the BIMP is readily available in three anodized finishes. It is aesthetically pleasing to the eye, cost effective and highly functional. It is the only solution to consider for today's light weight door spring hinge needs.

BIMP Quick Facts:

The BIMP does not require periodical greasing and works on a 180° Aperture. Due to its compact construction it is a small diameter hinge. It has 4 adjustment points and because it is made by Justor in Spain, it comes with a 2 year guarantee.

The BIMP, the smart choice for light weight doors

Profile:

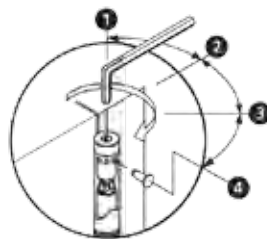


BIMPQuick Facts:

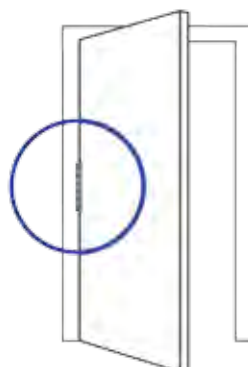
- Spring Resistance + 500,000 cycles
- For Light Doors up to 40kg
- Torsion Spring not a Coil Spring
- Variable Closing Strength
- Highly Efficient 180° Working Aperture
- Solid and Stylish Design
- For Wood or Aluminium Doors
- Slim Stylish Profile
- Quick & Simple Installation
- No Periodical Greasing Required
- Detailed Instructions Included
- Available in Silver or Bronze
- 2 Year Guarantee

Anatomy of a Hinge: Single Action Spring Hinge MP - Technical Data

Adjustment Instructions:



Installation

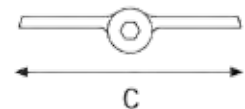
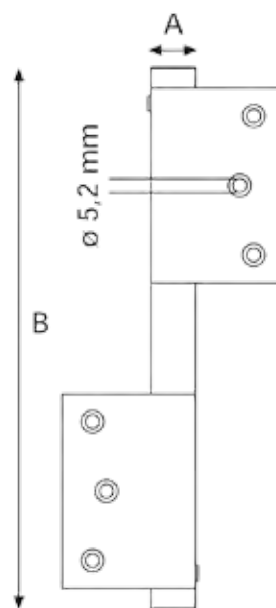
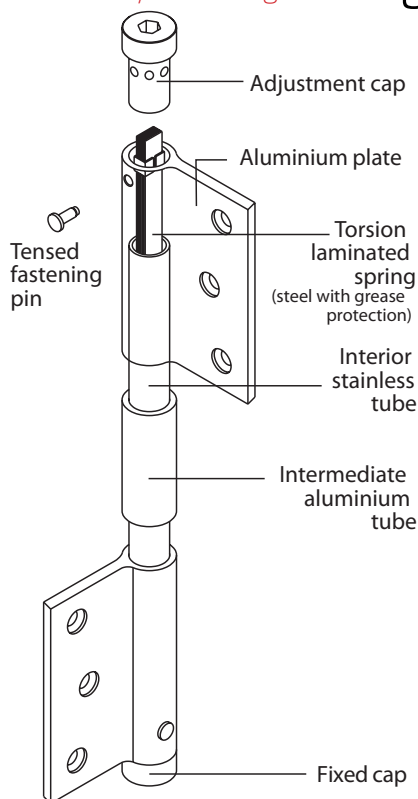


Install the spring hinge in the centre of the door between the two normal hinges.

Dimensional Information:

Measurements table (in mm)

Model	MP
A	ø16
B	180
C	80



Order Codes:

- BIMPS - Anodized Silver
- BIMPB - Anodized Bronze (by Request)
- BIMBL - Anodized Black (by Request)